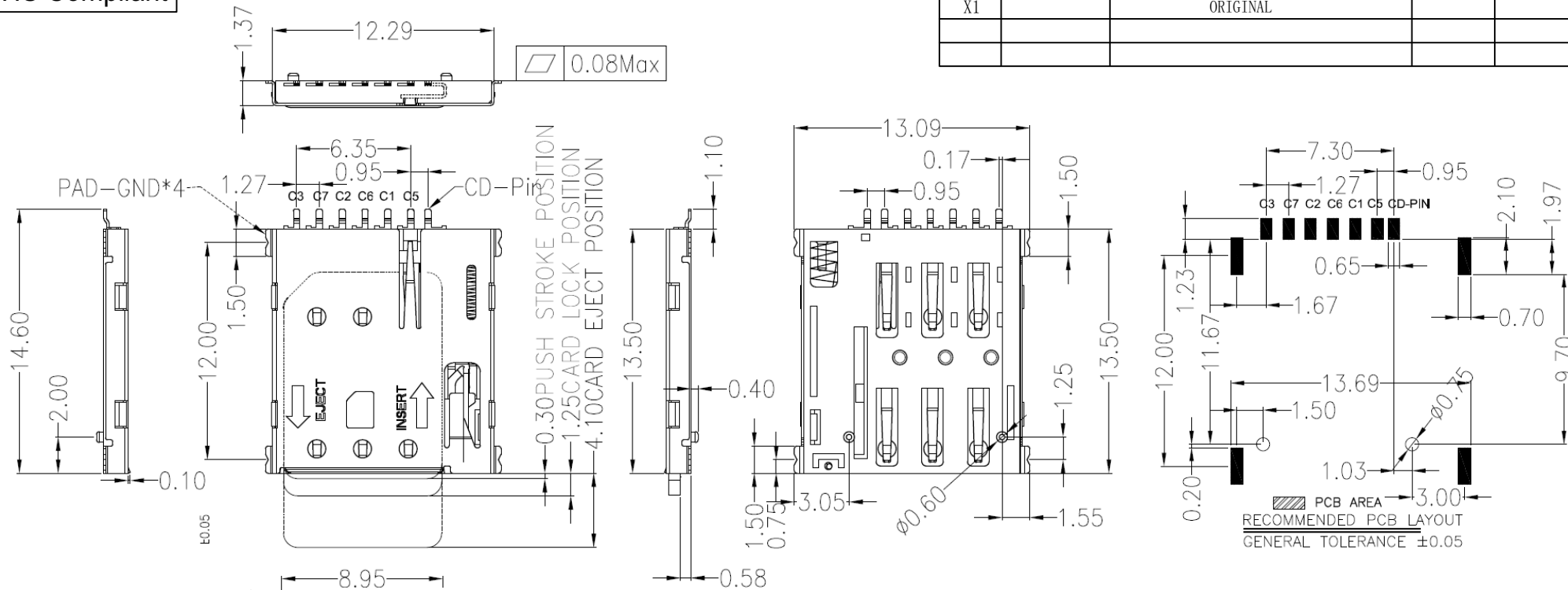


RoHS Compliant

REV.	ECN. NO.	DESCRIPTION	DATE	APPD
X1		ORIGINAL		



Specification

MATERIAL:

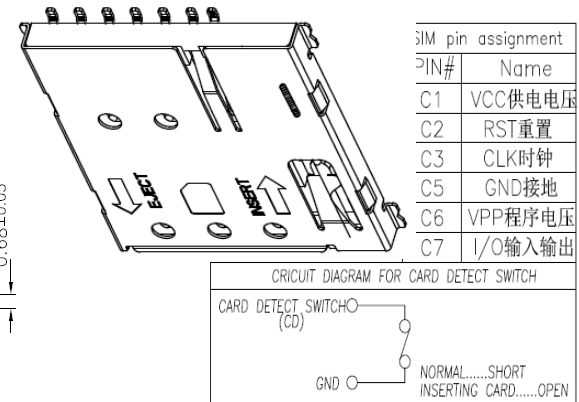
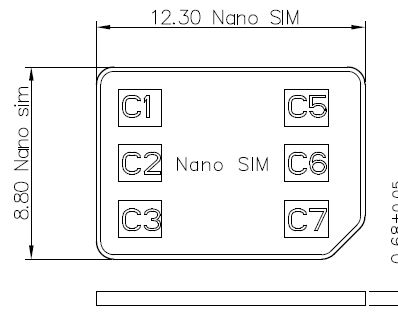
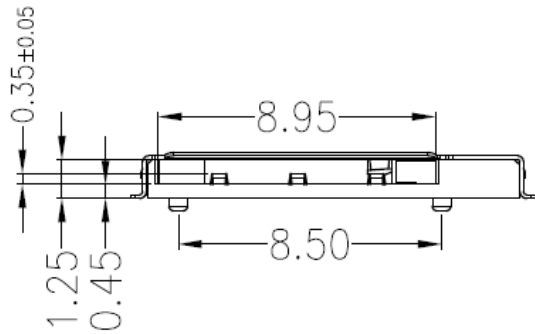
Insulator: High Temperature Thermoplastic,  
Contact: Copper Alloy  
SHELL: SUS

PLATING:

Contact: ALL AU GOLD 1U  
Shell: Plated 50u'' Ni Overall, PAD Au 1U

Electrical:

Current Rating :0.5mA AC/DC max.  
Voltage Rating :125V AC/DC  
Ambient Temperature Range :-20° C~+60° C  
Storage Temperature Range :-40° C~+70° C  
Ambient Humidity Range :95% R.H. Max.  
Contact Resistance:100m max.  
Insulation Resistance:1000M min./500VDC  
Mating Cycles:3000 Insertions  
产品耐温温度: 260度



EXTEND USE:		TITLE :	<b>AsA</b> WWW.AsA-Elec.com <b>Electronic</b> AsA Electronic Co. Tel : (+98) 21 66 73 56 82 Mob : (+98) 912 03 161 02	
	UNIT: mm	NANO SIM卡座6P H1.35	APPD.:	DWG. NO.:
GENERAL TOLERANCE:	MATERIAL	APPD.:	Allen Yang	
LINEAR: . ±0.20 .0 ±0.10 .00 ±0.05 .000 ±0.03	ANGLES: . ±2° .0 ±1° .00 ±0.5°	QTY:	CHKD.:	PART NO.:
		FINISHED:	DR. BY.:	SHEET: SCALE: A4
			Jessa Lei 2015.04.08	1/1 1:1